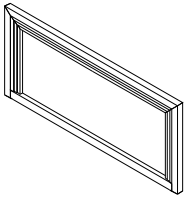
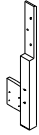
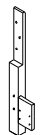
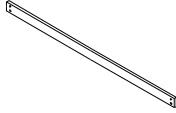







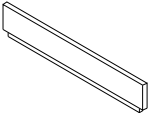
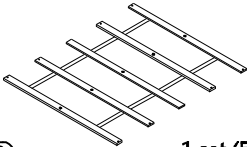



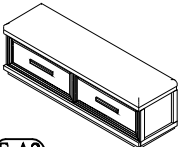
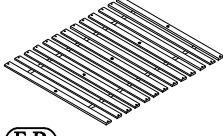


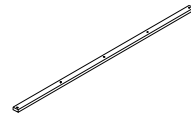

**Warning :**

- Be sure to check all packing material carefully for small parts, which may have come loose inside the carton during shipment.
- To prevent possible scratches and damage, this furniture **MUST BE ASSEMBLED BY TWO PEOPLE** on a soft surface such as a blanket or carpet.

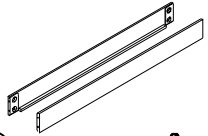





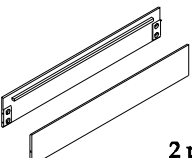
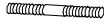




**Hardware and Parts packed with the Headboard**

<p>Queen Panel Headboard - 73476</p>  <p>(H-A) 1 pc.</p>	<p>Headboard Post (Right)</p>  <p>(H-B) 1 pc.</p>	<p>Headboard Post (Left)</p>  <p>(H-C) 1 pc.</p>	<p>Headboard Stretcher</p>  <p>(H-D) 1 pc.</p>	
<p>Allen Head Bolt Ø5/16"-18 x 1-1/2"</p>  <p>(H-E) 4 pcs.</p>	<p>Allen Head Bolt Ø5/16"-18 x 1-3/4"</p>  <p>(H-F) 6 pcs.</p>	<p>Flat Washer Ø5/16" x 19 x 2mm</p>  <p>(H-G) 10 pcs.</p>	<p>Spring Washer Ø5/16" x 12 x 3mm</p>  <p>(H-H) 10 pcs.</p>	<p>Allen key 5mm</p>  <p>(H-I) 1 pc.</p>

**Hardware and Parts packed with the Footboard**

<p>Queen Panel Footboard 73471</p>  <p>(F-A1) 1 pc.</p>	<p>Wood Slat (60-13/16" x 2-3/4" x 11/16")</p>  <p>(F-B) 1 set (5 pcs).</p>	<p>Support leg (1-1/8" x 1-1/8" x 6-3/4")</p>  <p>(F-C) 5 pcs.</p>	<p>Screw #8 x 1"</p>  <p>(F-D) 10 pcs.</p>	<p>Tool Required (Not provided) Phillips Screwdriver</p> 	
<p>Queen Storage Footboard 73473</p>  <p>(F-A2) 1 pc.</p>	<p>Wood Slat (60-13/16" x 2-3/4" x 11/16")</p>  <p>(F-B) 1 set (13 pcs).</p>	<p>Support leg (1-1/8" x 1-1/8" x 13-1/2")</p>  <p>(F-C) 5 pcs.</p>	<p>Screw #8 x 1"</p>  <p>(F-D) 26 pcs.</p>	<p>Slat Support Rail (78-13/16" x 2-3/4" x 11/16")</p>  <p>(F-E) 1 set.</p>	<p>Tool Required (Not provided) Phillips Screwdriver</p> 

**Hardware and Parts packed with the Bed Rails**

<p>Panel Bed Rails - 73472</p>  <p>(R-A1) 2 pcs.</p>	<p>All -Thread Bolt Ø5/16"-18 x 4 -1/2"</p>  <p>(R-B) 8 pcs.</p>	<p>Hex Nut Ø5/16"</p>  <p>(R-C) 8 pcs.</p>	<p>Spring Washer Ø5/16" x 12 x 2mm</p>  <p>(R-D) 8 pcs.</p>	<p>Curved Washer Ø5/16"</p>  <p>(R-E) 8 pcs.</p>	<p>Open Wrench 12mm</p>  <p>(R-F) 1 pc.</p>
<p>Storage Bed Rails - 73479</p>  <p>(R-A2) 2 pcs.</p>	<p>All - Thread Bolt Ø5/16"-18 x 4 -1/2"</p>  <p>(R-B) 8 pcs.</p>	<p>Hex Nut Ø5/16"</p>  <p>(R-C) 8 pcs.</p>	<p>Spring Washer Ø5/16" x 12 x 3mm</p>  <p>(R-D) 8 pcs.</p>	<p>Curved Washer Ø5/16"</p>  <p>(R-E) 8 pcs.</p>	<p>Open Wrench 12mm</p>  <p>(R-F) 1 pc.</p>

4/6-5/0 Queen Panel Bed

4/6-5/0 Queen Storage Bed

73476 -- 4/6-5/0 Queen Panel Headboard

73471 -- 5/0 Queen Panel Footboard

73472 -- 5/0-6/6 Panel Bed Rails

73476 -- 4/6-5/0 Queen Panel Headboard

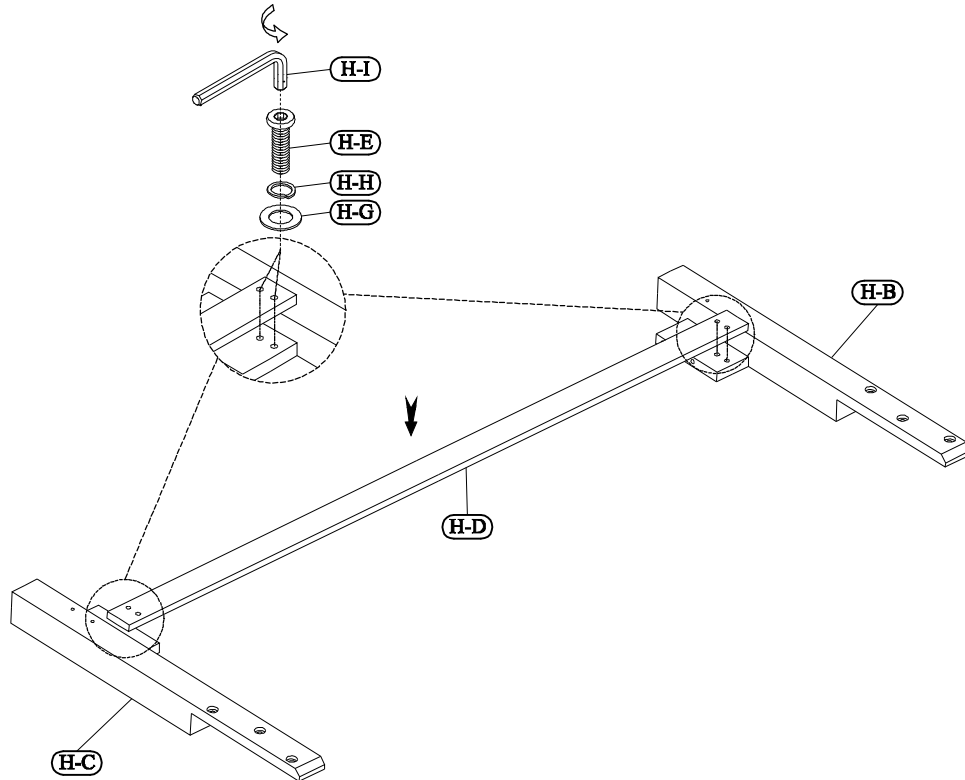
73473 -- 5/0 Queen Storage Footboard

73479 -- 5/0-6/6 Storage Bed Rails

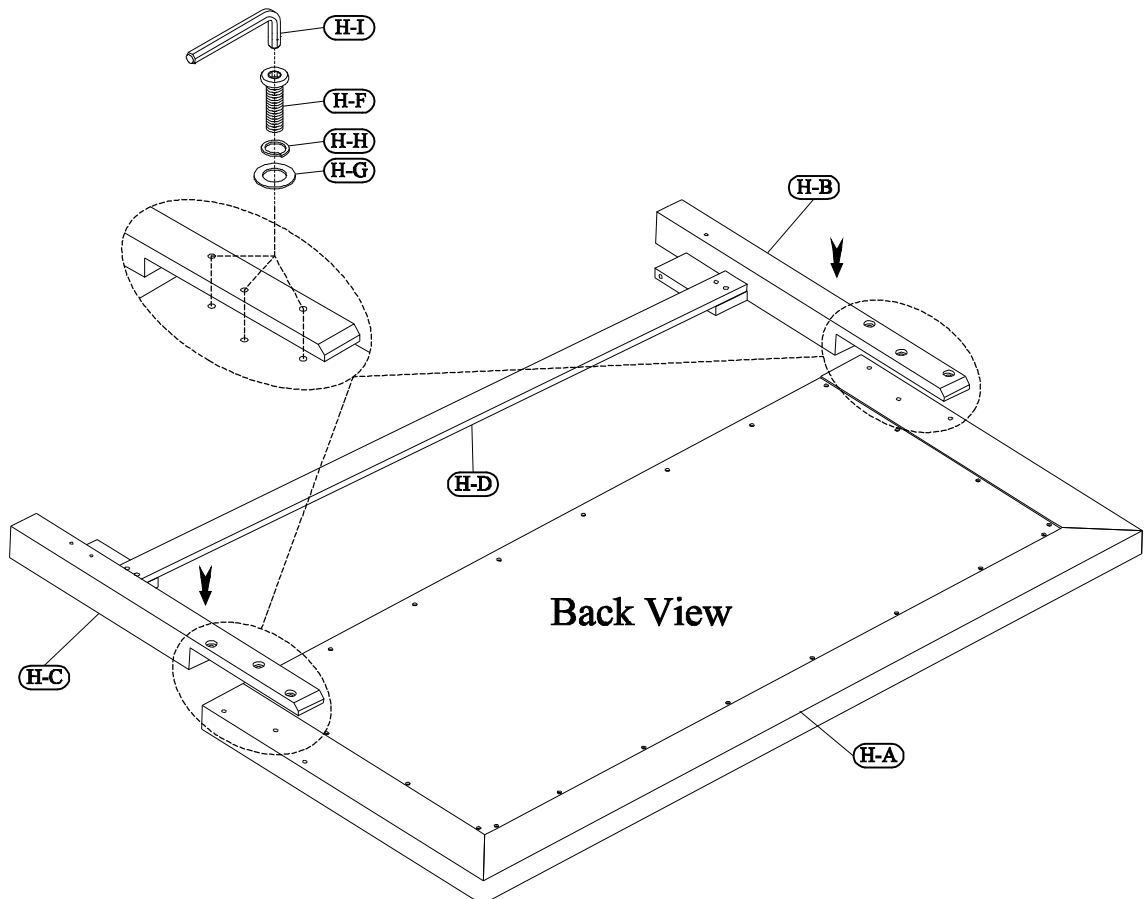
4/6-5/0 Queen Panel Bed

73476 -- 4/6-5/0 Queen Panel Headboard

Step 1



Step 2

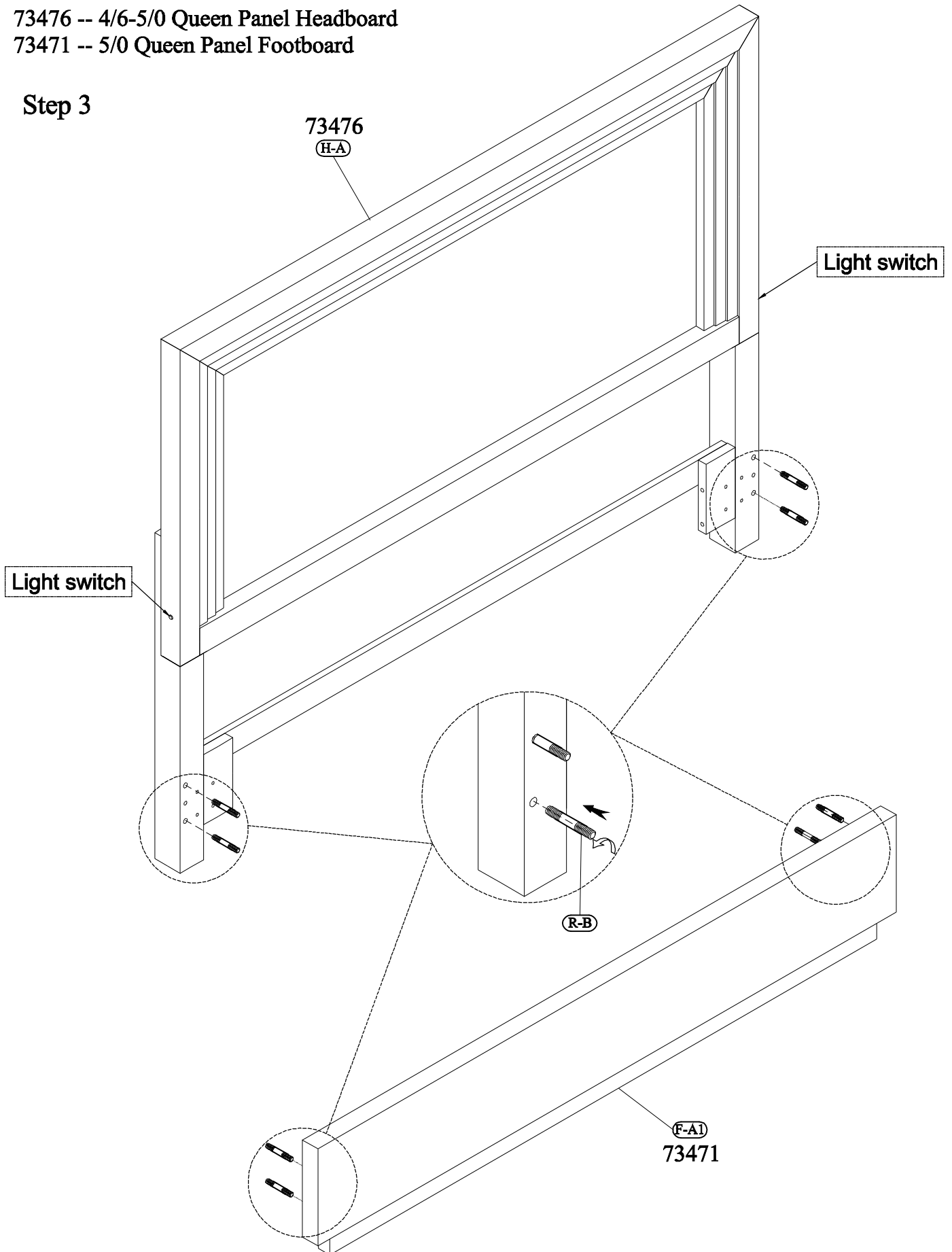


4/6-5/0 Queen Panel Bed

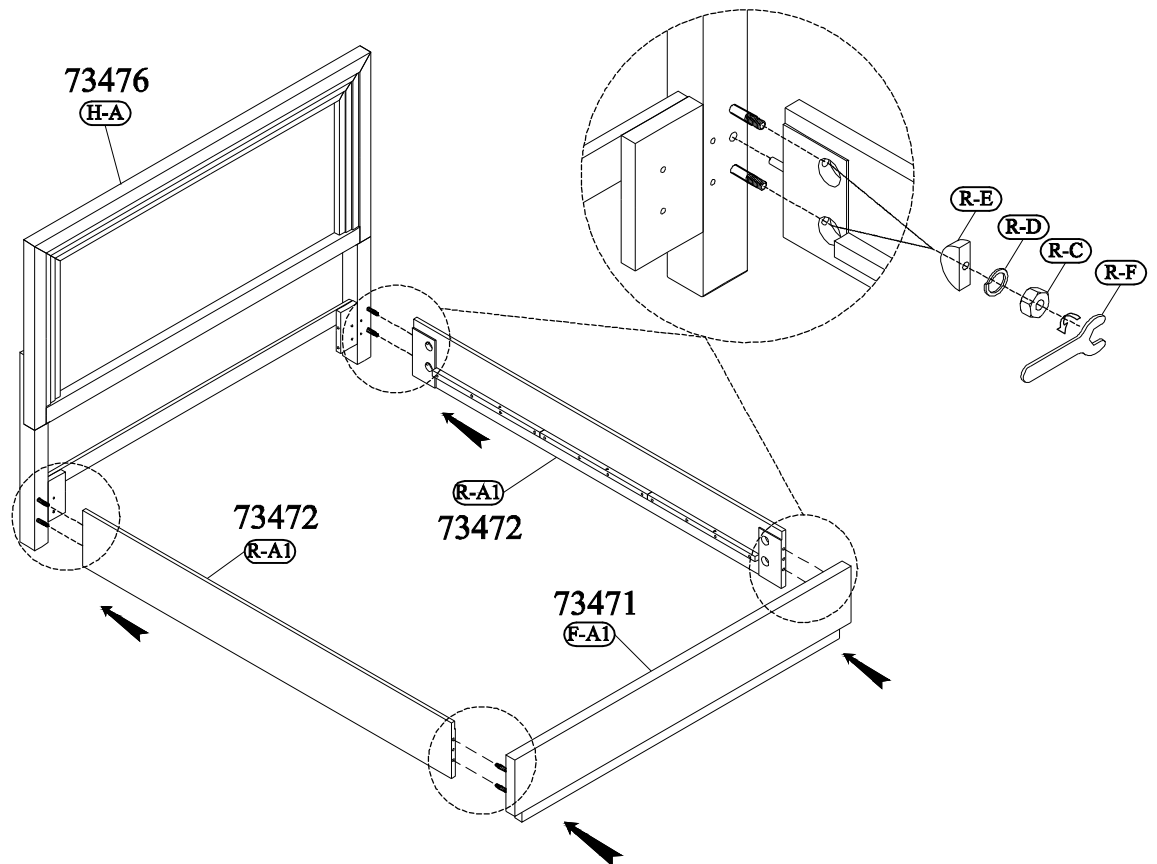
73476 -- 4/6-5/0 Queen Panel Headboard

73471 -- 5/0 Queen Panel Footboard

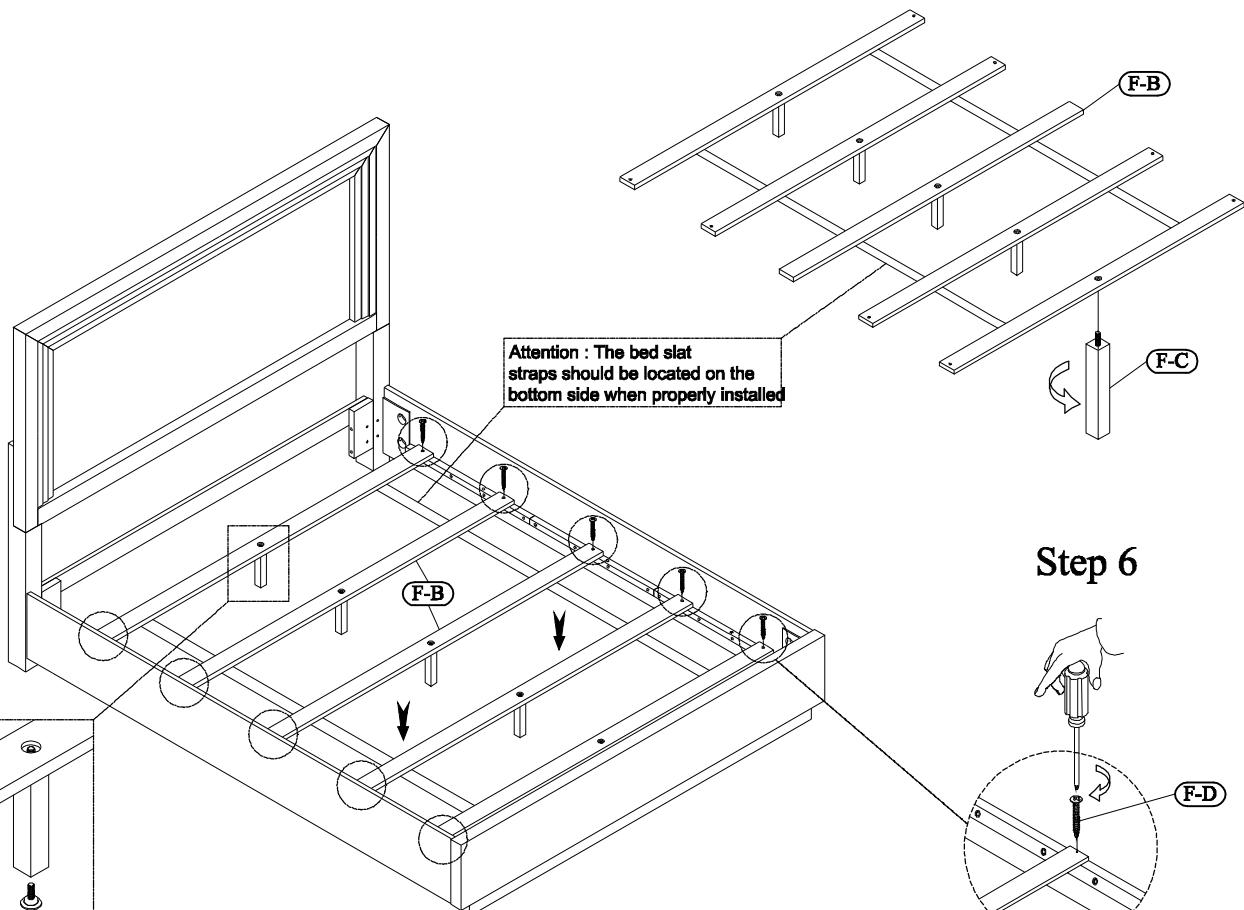
**Step 3**



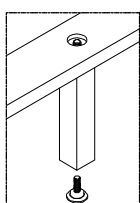
**Step 4**



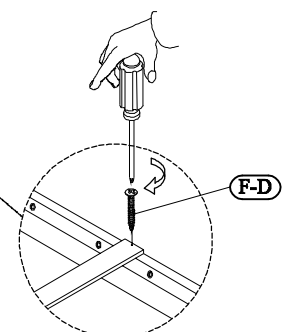
**Step 5**



**Step 6**



Adjustable Level



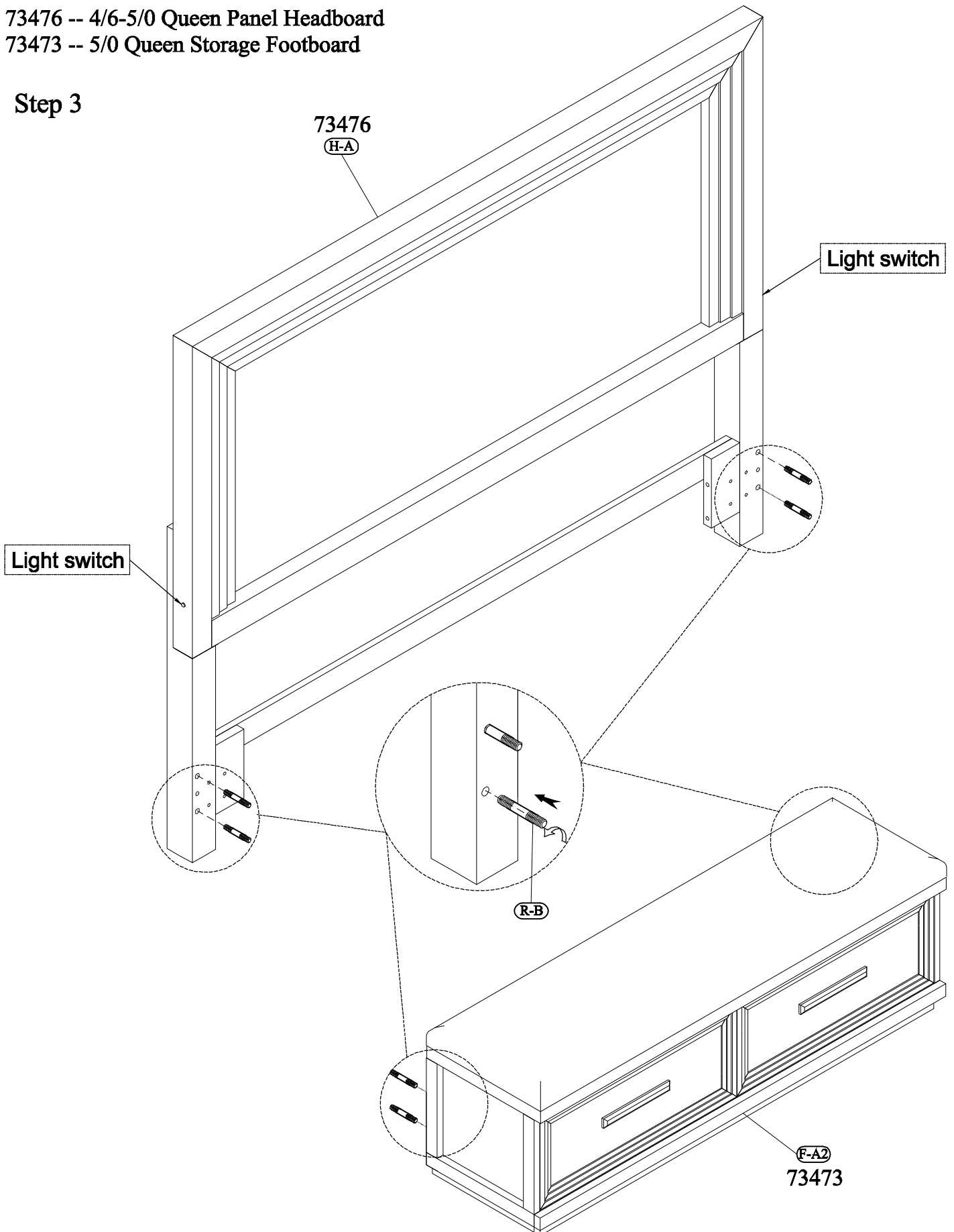
F-D

4/6-5/0 Queen Panel Bed

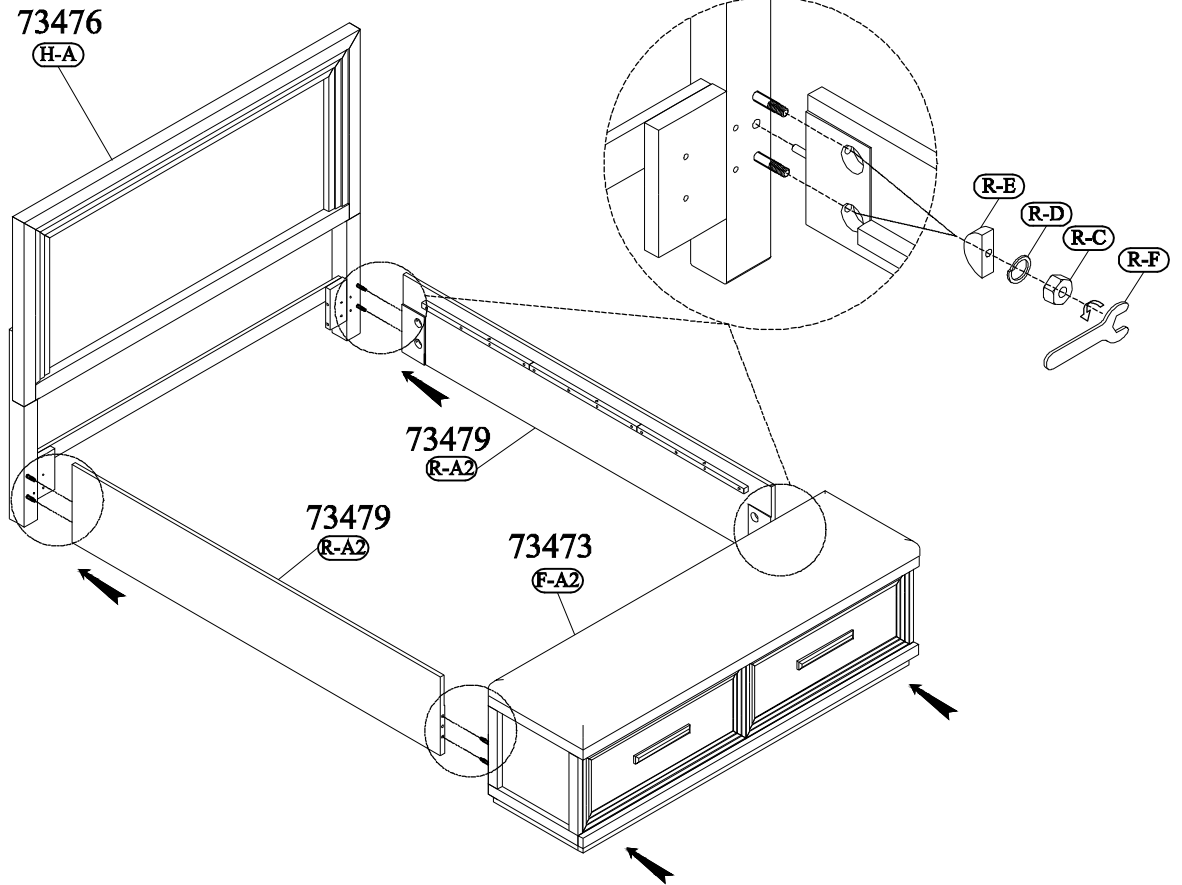
73476 -- 4/6-5/0 Queen Panel Headboard

73473 -- 5/0 Queen Storage Footboard

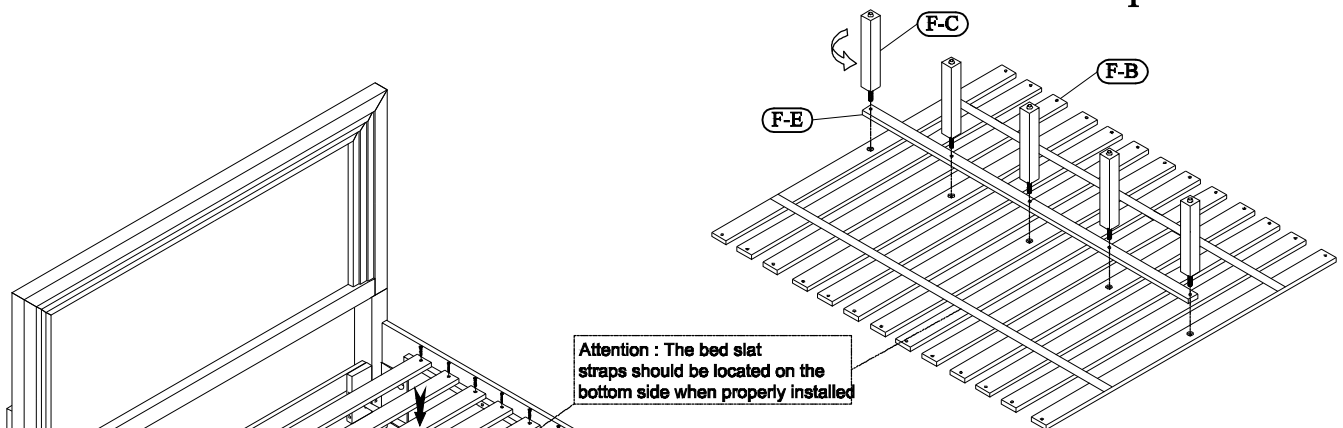
Step 3



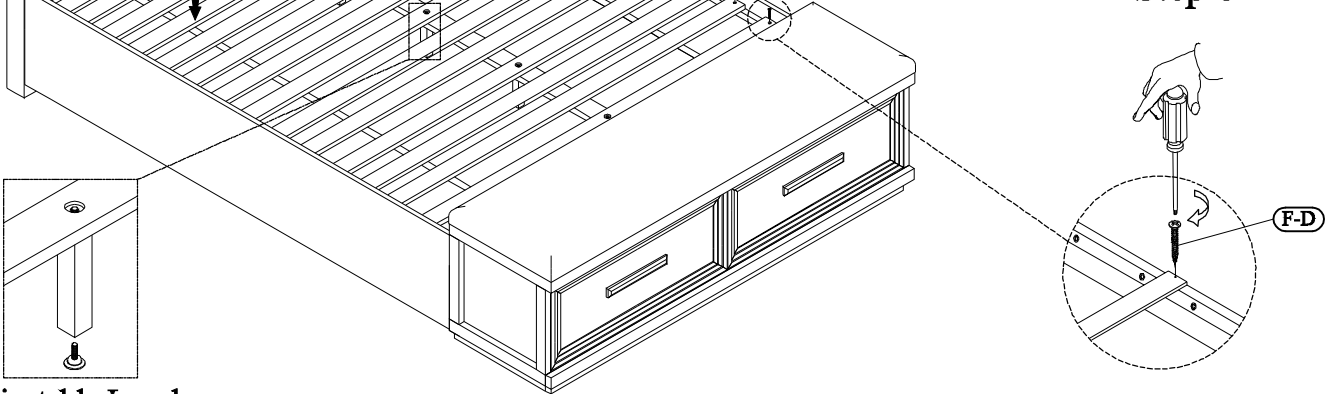
Step 4



Step 5

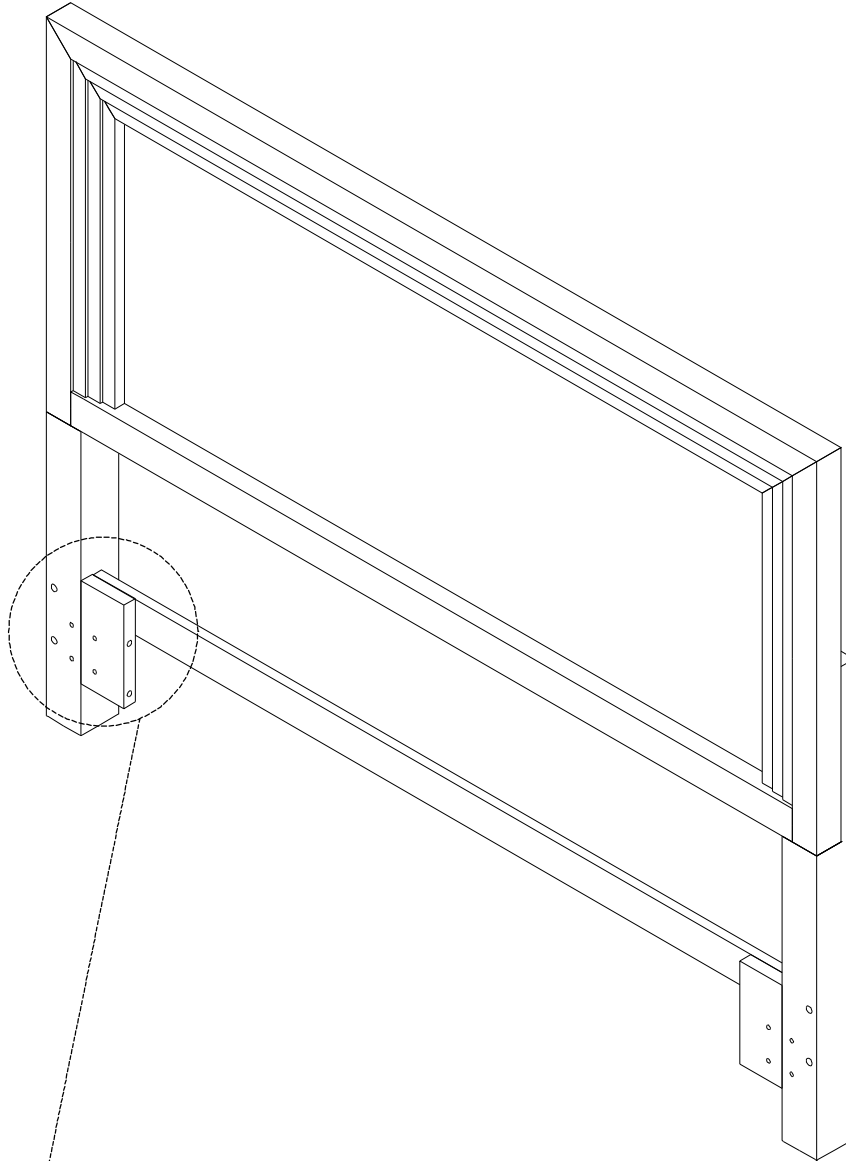


Step 6



4/6-5/0 Queen Panel Bed

73476 -- 4/6-5/0 Queen Panel Headboard



USE THESE HOLES FOR ATTACHING WOOD SIDE RAILS.  
ALL HARDWARE IS INCLUDED WITH THE SIDE RAILS

USE THESE HOLES FOR ATTACHING A FULL SIZE (4/6) METAL BED FRAME  
CUSTOMER TO PROVIDE THE HARDWARE NEEDED

USE THESE HOLES FOR ATTACHING A QUEEN SIZE (5/0) METAL BED FRAME  
CUSTOMER TO PROVIDE THE METAL HARDWARE NEEDED

**4/6 & 5/0 Bed**

**THE HEADBOARD MAY BE USED ALONE WITH  
A QUEEN OR FULL SIZE METAL BED FRAME.**